

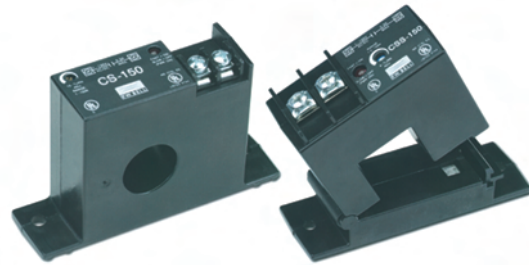
# Model CS-150 and CSS-150 **Open Loop Hall Effect**

## Description

The Models CS-150 and CSS-150 detect AC current from 1 to 150 amps and provide a solid state switched output when the current exceeds the adjustable trip point. Adjustment is made by a multi-turn trim pot. A flashing LED gives visual indication of the trip point. The CSS-150 clamps over existing wiring for easy installation. UL listed.

## Features

- Adjustable trip range from 1 A to 150A (split core- 1.5 A to 150 A)
- Simple two wire connection
- Split core for easy installation
- Built in LED indicates On/Off status
- Switch rated 1 to 135 volts AC or DC



## Applications

- Sense broken belts on motors
- Detect open heater strips
- Sense clogged air filters
- Detect burned out navigation lights
- Operational status of fans, motors and pumps.

## Electrical Specifications

	Units	CS-150	CSS-150
Detection Range .....	Amps	1 - 150	1.5 - 150
Hysteresis (Deadband)			
1 A setting .....	mA		50
50 A setting .....	Amps		2.5
150 A setting .....	Amps		7.5
Frequency Range .....	Hz		6 to 100
Switch contacts (Solid State)			
Voltage Range .....	V AC/DC		1 to 135
Maximum Current .....	A AC/DC		0.3
Response Time (maximum) .....	ms		250
Over-Range capability			
400 A .....	seconds		6
1000 A .....	seconds		1
UL Voltage rating .....	V		1,250

## General Information

Operating Temperature .....	°C	-50 to +65
Aperture Opening .....	Inches(mm)	0.73 (18.5) DIA. / +0.85 (21.6)
Weight .....	Grams	98 / 121
Mounting .....		Panel mount via two #6 screws

## Notes:

1. The output contacts are normally open. Contacts close when the current exceeds the set point. The output contacts can accept AC or DC and are not polarity sensitive.
2. The LED indicates three possible operating states: Fast Flashing indicates power is on and sensor contacts are closed. Slow Flashing indicates power is on, but sensor is below trip point and No Flashing indicates power is off or below minimum range of sensor.

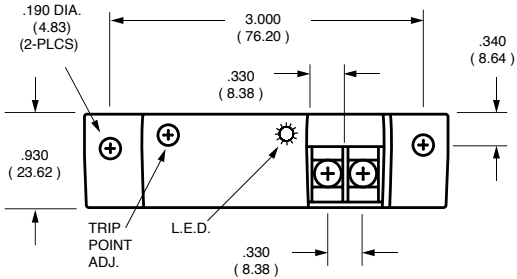


# Model CS and CSS-150

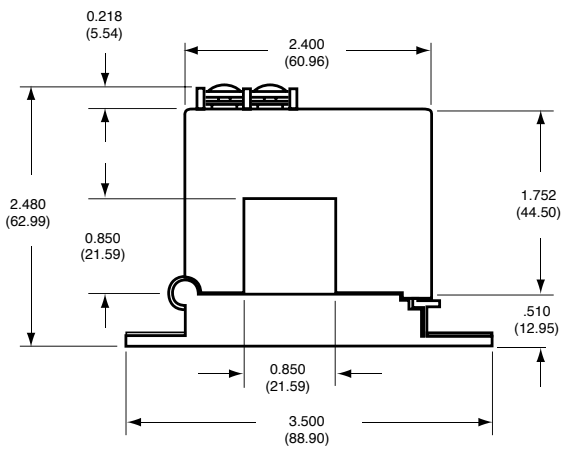
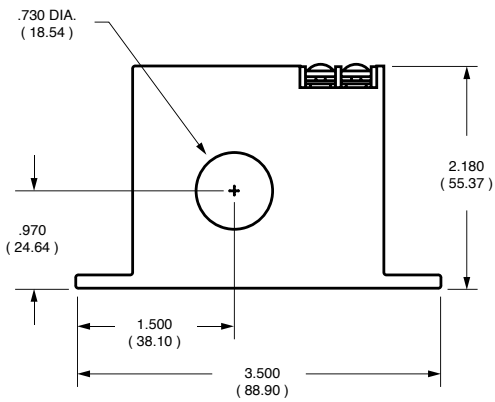
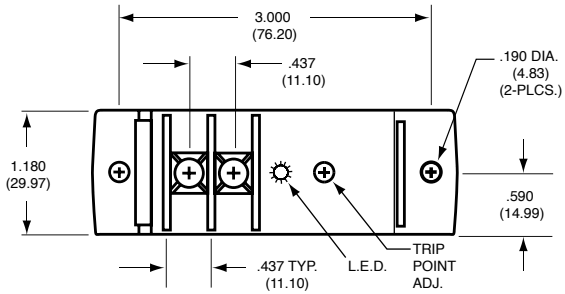
## Mechanical Dimensions

All dimensions are in inches (millimeters)

### CS-150

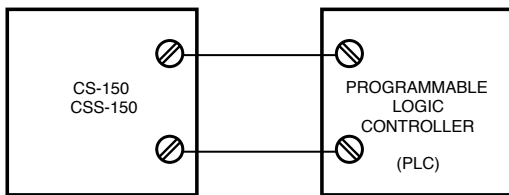


### CSS-150

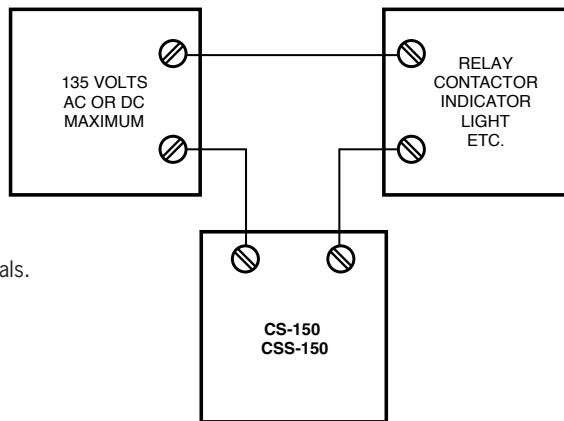


## Connection Schematic

Sensor acting as shunting contact  
(not polarity sensitive)



Sensor in series with power source



Connection to sensor is made via two 6-32 screw terminals.